

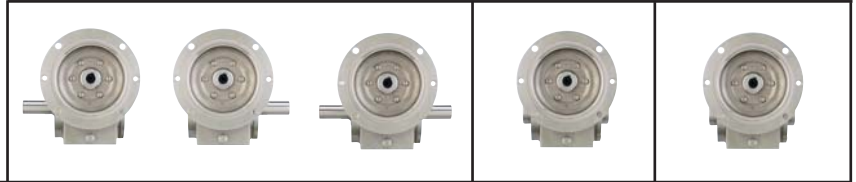
# Stainless Steel Maximum Rating Tables

## Size 813

Style SBMQ

Style SHMQ

Style SHMQ



### 813 Series

Ratio	nput		Output		Output Torque (lb in)	NEMA C nput Frame	L Assembly Catalog No	R Assembly Catalog No	D Assembly Catalog No	H1 Assembly Catalog No *	H2 Assembly Catalog No *
	RPM	RPM	HP	HP							
<b>5</b>	2500	500.0	1.528	1.429	180	56C	<b>S133003700</b>	<b>S133004900</b>	<b>S133006100</b>	<b>S133045710</b>	<b>S133046910</b>
	1750	350.0	1.248	1.158	209						
	1170	234.0	0.952	0.872	235						
	100	20.0	0.140	0.095	298						
<b>7.5</b>	2500	333.3	1.281	1.178	223	56C	<b>S133003800</b>	<b>S133005000</b>	<b>S133006200</b>	<b>S133045810</b>	<b>S133047010</b>
	1750	233.3	1.025	0.933	252						
	1170	156.0	0.770	0.689	278						
	870	116.0	0.615	0.540	293						
<b>10</b>	2500	250.0	1.016	0.912	230	56C	<b>S133003900</b>	<b>S133005100</b>	<b>S133006300</b>	<b>S133045910</b>	<b>S133047110</b>
	1750	175.0	0.823	0.729	263						
	1170	117.0	0.626	0.543	293						
	100	10.0	0.103	0.058	363						
<b>15</b>	2500	166.7	0.790	0.678	257	56C	<b>S133004000</b>	<b>S133005200</b>	<b>S133006400</b>	<b>S133046010</b>	<b>S133047210</b>
	1750	116.7	0.642	0.541	292						
	1170	78.0	0.491	0.402	325						
	100	6.7	0.090	0.042	401						
<b>20</b>	2500	125.0	0.681	0.562	283	56C	<b>S133004100</b>	<b>S133005300</b>	<b>S133006500</b>	<b>S133046110</b>	<b>S133047310</b>
	1750	87.5	0.551	0.445	320						
	1170	58.5	0.422	0.328	354						
	100	5.0	0.084	0.034	431						
<b>25</b>	2500	100.0	0.544	0.431	272	56C	<b>S133004200</b>	<b>S133005400</b>	<b>S133006600</b>	<b>S133046210</b>	<b>S133047410</b>
	1750	70.0	0.445	0.344	309						
	1170	46.8	0.344	0.255	344						
	100	4.0	0.074	0.027	423						
<b>30</b>	2500	83.3	0.481	0.364	276	56C	<b>S133004300</b>	<b>S133005500</b>	<b>S133006700</b>	<b>S133046310</b>	<b>S133047510</b>
	1750	58.3	0.395	0.290	314						
	1170	39.0	0.308	0.215	348						
	100	3.3	0.071	0.023	429						
<b>40</b>	2500	62.5	0.400	0.283	285	56C	<b>S133004400</b>	<b>S133005600</b>	<b>S133006800</b>	<b>S133046410</b>	<b>S133047610</b>
	1750	43.8	0.329	0.223	322						
	1170	29.3	0.258	0.165	355						
	100	2.5	0.066	0.017	432						
<b>50</b>	2500	50.0	0.346	0.232	292	56C	<b>S133004500</b>	<b>S133005700</b>	<b>S133006900</b>	<b>S133046510</b>	<b>S133047710</b>
	1750	35.0	0.285	0.182	327						
	1170	23.4	0.224	0.133	359						
	100	2.0	0.061	0.014	431						
<b>60</b>	2500	41.7	0.297	0.184	279	56C	<b>S133004600</b>	<b>S133005800</b>	<b>S133007000</b>	<b>S133046610</b>	<b>S133047810</b>
	1750	29.2	0.246	0.145	313						
	1170	19.5	0.195	0.107	345						
	100	1.7	0.058	0.011	415						
<b>80</b>	2500	31.3	0.144	0.081	163	56C	<b>S133004700</b>	<b>S133005900</b>	<b>S133007100</b>	<b>S133046710</b>	<b>S133047910</b>
	1750	21.9	0.121	0.064	183						
	1170	14.6	0.096	0.047	201						
	100	1.3	0.014	0.005	237						
<b>100</b>	2500	25.0	0.100	0.051	128	56C	<b>S133004800</b>	<b>S133006000</b>	<b>S133007200</b>	<b>S133046810</b>	<b>S133048010</b>
	1750	17.5	0.084	0.040	143						
	1170	11.7	0.067	0.029	156						
	100	1.0	0.010	0.003	184						

Consult Factory for other available styles and motor flanges.

#### Available bore codes

Fraction Size	5/8"
Decimal Size	0.625
Output Bore Code	10

\* Catalog numbers are for hollow output shaft reducers.  
When ordering, substitute the XX suffix with the required output bore code.

Single Reduction  
Worm Gear Reducers

Double Reduction  
Worm - Worm Gear Reducers

Double Reduction  
Helical - Worm Gear Reducers

WASHGUARD® Reducers  
and GEAR-MOTOR™

Ratio Multipliers

Accessories and  
Additional Capabilities

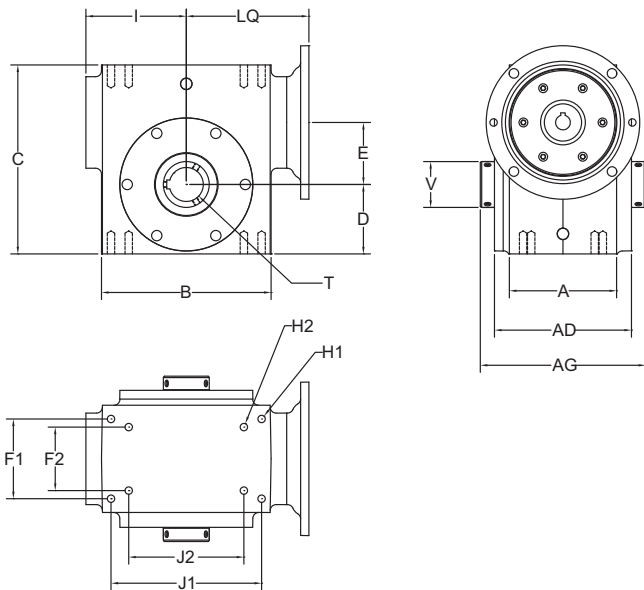
## HMQ Style

	A	AD	B	C	D	E	F1	F2	H1	H2		J1	J2	LQ (56C)	LQ (180TC)	T MAX	T KWY	V	AG
<b>813</b>	2 82	3 69	3 80	4 66	1 72	1 333	2 00	N/A	5/16 18	N/A	2 38	3 25	N/A	3 48	N/A	0 625	3/16 x 3/32	1 00	4 75
<b>815</b>	3 44	4 40	4 88	5 38	1 91	1 540	2 75	N/A	5/16 18	N/A	2 91	4 19	N/A	4 01	N/A	0 625	3/16 x 3/32	1 00	5 42
<b>818</b>	3 32	4 40	5 06	5 75	2 06	1 750	2 75	1 63	5/16 18	1/4 20	3 01	4 19	3 13	4 11	N/A	1 000	1/4 x 1/8	1 44	5 50
<b>821</b>	3 60	4 78	5 80	6 38	2 28	2 063	3 00	2 00	5/16 18	5/16 18	3 38	4 75	4 00	4 48	N/A	1 500	3/8 x 3/16	1 94	6 00
<b>824</b>	4 06	4 97	6 12	6 94	2 50	2 375	2 88	N/A	3/8 16	N/A	3 69	5 00	N/A	4 63	5 24	1 500	3/8 x 3/16	1 94	6 00
<b>826</b>	4 54	5 80	7 25	8 00	2 94	2 625	3 38	2 69	3/8 16	3/8 16	4 25	6 38	4 88	5 19	5 80	1 500	3/8 x 3/16	1 94	7 00
<b>832</b>	5 45	6 80	8 50	9 38	3 50	3 250	4 00	2 75	7/16 14	1/2 13	4 94	7 50	6 25	5 88	6 49	2 188	1/2 x 1/4	2 75	7 88

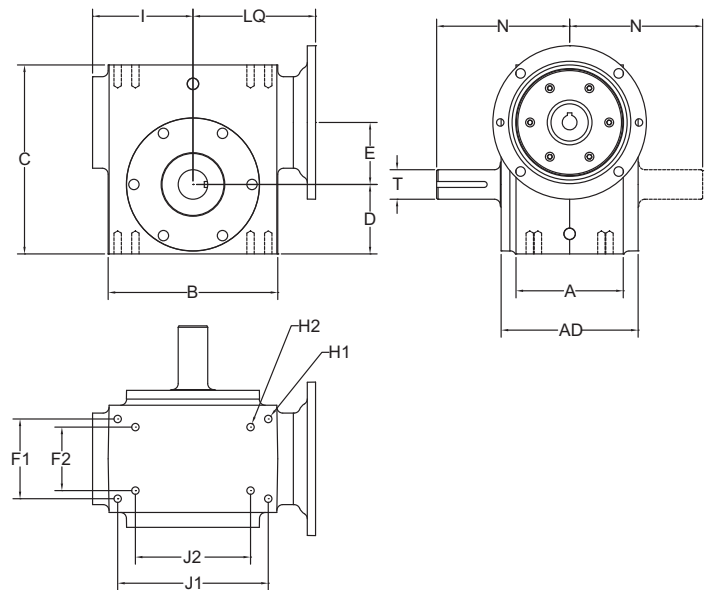
## BMQ Style

	A	AD	B	C	D	E	F1	F2	H1	H2		J1	J2	LQ (56C)	LQ (180TC)	N	O/P Key	T
<b>813</b>	2 82	3 69	3 80	4 66	1 72	1 333	2 00	N/A	5/16 18	N/A	2 38	3 25	N/A	3 48	N/A	4 00	3/16 x 1 75	0 625
<b>815</b>	3 44	4 40	4 88	5 38	1 91	1 540	2 75	N/A	5/16 18	N/A	2 91	4 19	N/A	4 01	N/A	4 31	3/16 x 1 75	0 750
<b>818</b>	3 32	4 40	5 06	5 75	2 06	1 750	2 75	1 63	5/16 18	1/4 20	3 01	4 19	3 13	4 11	N/A	4 31	3/16 x 1 38	0 875
<b>821</b>	3 60	4 78	5 80	6 38	2 28	2 063	3 00	2 00	5/16 18	5/16 8	3 38	4 75	4 00	4 48	N/A	4 68	1/4 x 1 45	1 000
<b>824</b>	4 06	4 97	6 12	6 94	2 50	2 375	2 88	N/A	3/8 16	N/A	3 69	5 00	N/A	4 63	5 24	5 14	1/4 x 1 75	1 125
<b>826</b>	4 54	5 80	7 25	8 00	2 94	2 625	3 38	2 69	3/8 16	3/8 16	4 25	6 38	4 88	5 19	5 80	5 63	1/4 x 2 00	1 250
<b>832</b>	5 45	6 80	8 50	9 38	3 50	3 250	4 00	2 75	7/16 14	1/2 13	4 94	7 50	6 25	5 88	6 49	7 06	3/8 x 2 63	1 500

## HMQ Style



## BMQ Style



Single Reduction  
Worm Gear Reducers

Double Reduction  
Worm - Worm Gear Reducers

Double Reduction  
Helical - Worm Gear Reducers

WASHGUARD® Reducers  
and GEAR-H-MOTOR™

Ratio Multipliers

Accessories and  
Additional Capabilities